



ROUND FIRE PIT

INSTALLATION GUIDE

STEP-BY-STEP INSTRUCTIONS

These simple step-by-step instructions will make assembling your fire pit easy and accurate.

1. Excavate a circular area approximately 4 to 6 feet in diameter and at least 6 inches deep. Fill with processed gravel or mason sand, compacting until level. Dig a hole in the center of this circle approximately 12 inches in diameter and 24 inches deep, and fill it with crushed stone. This will allow for proper drainage.
 - a. If you are building your fire pit on top of a solid surface, such as a patio with stone pavers, remove the pavers in the middle of the circle to dig the required hole, then pitch the remaining pavers that are within the circle toward the hole for proper drainage.
2. Since granite is a natural material, the fire pit blocks may vary in thickness, which is well within the standard industry guidelines for cut granite products.
 - a. Before moving on to step 3, sort through the blocks and make groups of 16 that have a similar thickness. Reserve the most consistent blocks for use as your middle and/or top layers. Use the most inconsistent blocks as the bottom layer so that you can adjust the gravel to create a level surface.
 - b. It may be necessary to shim certain layers for them to remain level. We recommend thin plastic shims.
3. Using the metal ring as a guide, place 16 granite fire pit blocks around the ring, which will create a 30-inch inside diameter circle. Adjust the fire pit blocks as needed so that they are tight together and level. Remove the metal ring.
4. Install the second layer of fire pit blocks on top of the first layer, overlapping blocks as you go to form a solid bond. Install the metal fire ring into this second layer to ensure that you have a good, tight fit.
5. Fill the interior of the fire pit with processed gravel or mason sand. Compact the layers of gravel every 4 inches until you reach the bottom of the flange of the metal ring. Readjust stones as needed to create a good fit.
6. For added stability, you can use landscape adhesive to adhere the top row of blocks to the row below it.
7. Light a fire* and enjoy your quality fire pit from Polycor!

* Never use gasoline or other accelerants to start the fire.

Our granite blocks are protected with sand and the metal fire ring, but keep your fire small, as large fires and intense heat may cause the granite blocks to spall or crack.

Always attend the fire, and have a hose or bucket of water nearby for emergencies.

When you are finished enjoying your fire, be sure to fully extinguish it.

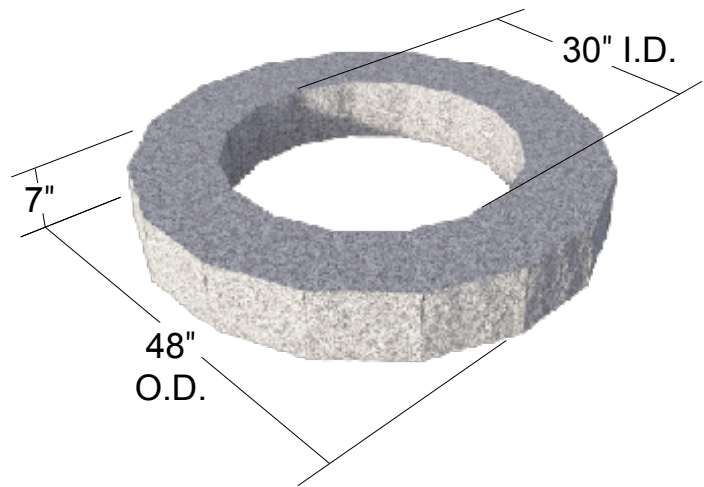
Do not leave children unattended around open flames or hot embers.

Never throw foreign objects into the fire.

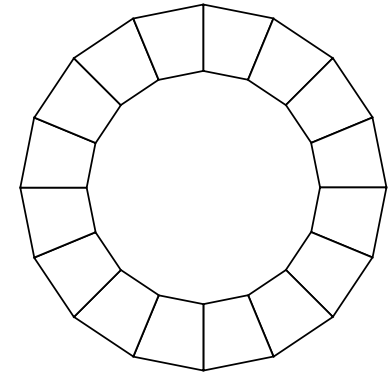
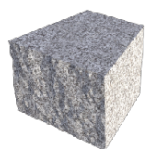
ROUND FIRE PIT INSTALLATION GUIDE

ROUND FIRE PIT INSTALLATION GUIDE

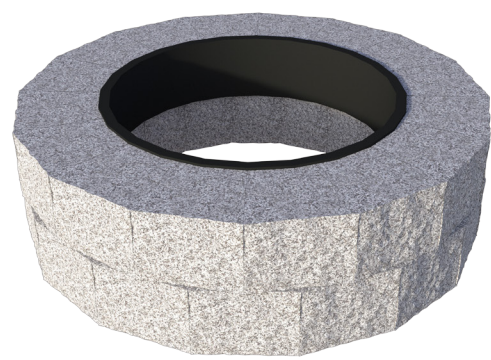
STEP 1: First Row



Tapered Block
16 pcs



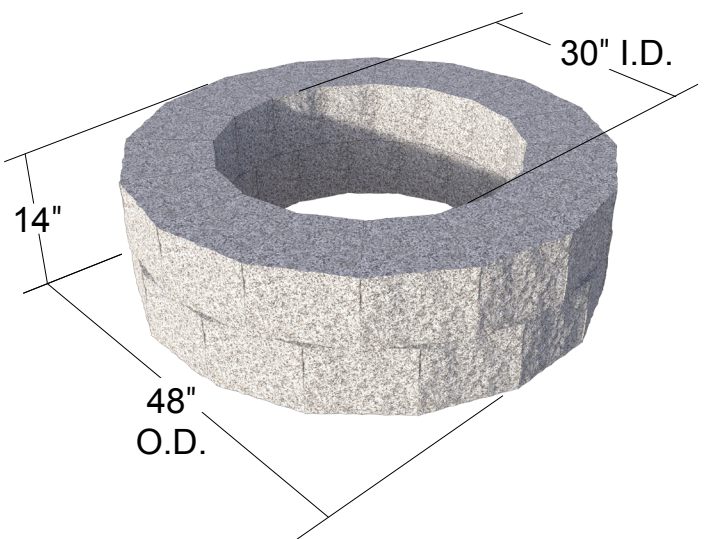
STEP 3: Metal Insert



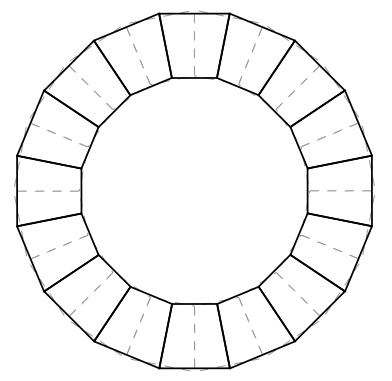
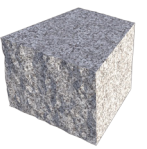
Metal insert
1 pc



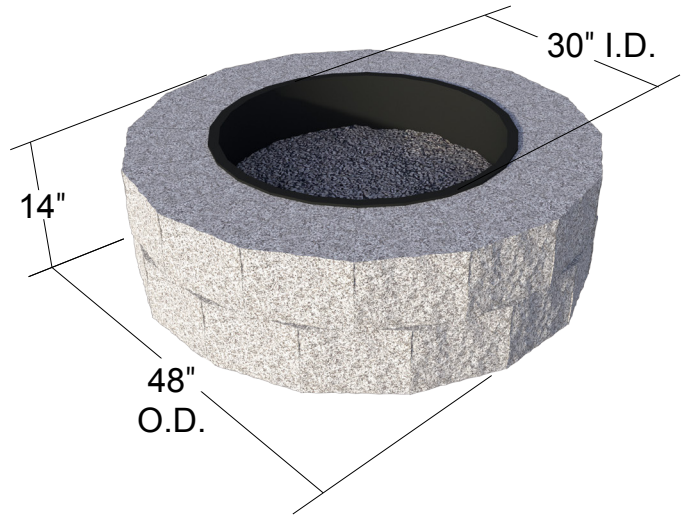
STEP 2: Second Row



Tapered Block
16 pcs



STEP 4: Gravel



SQUARE FIRE PIT

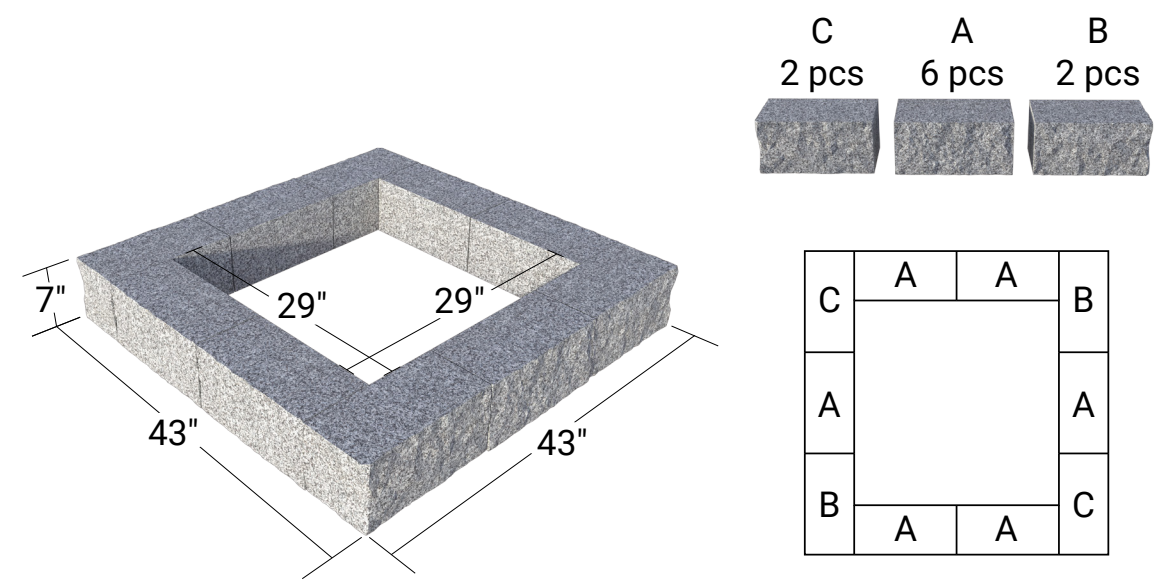
INSTALLATION GUIDE

SQUARE FIRE PIT

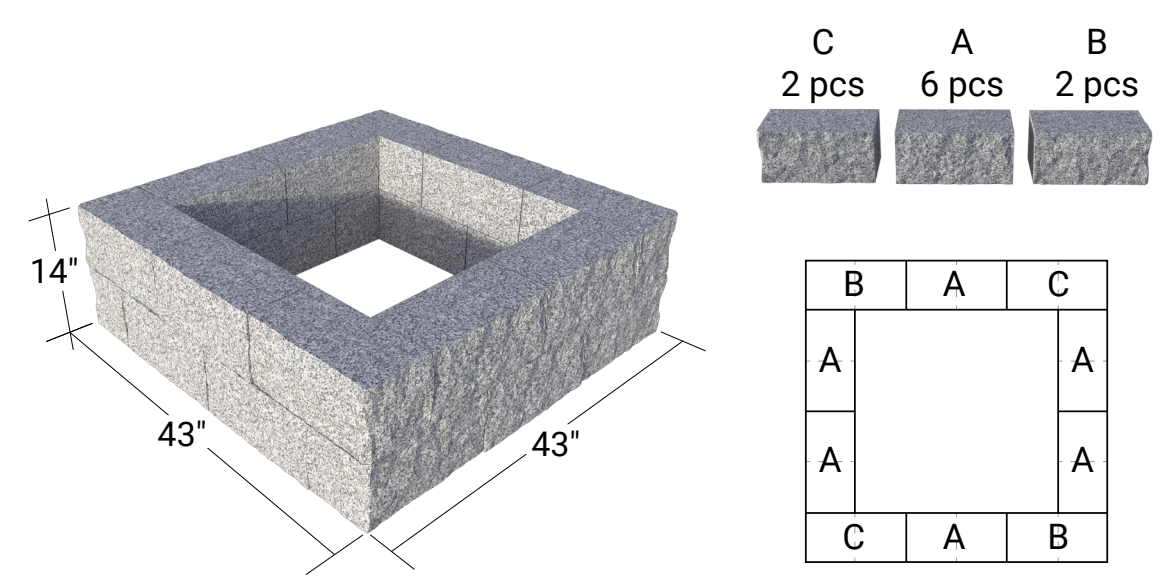
INSTALLATION GUIDE

Refer to the Round Fire Pit Installation Guide to prepare the base before installing your square fire pit.

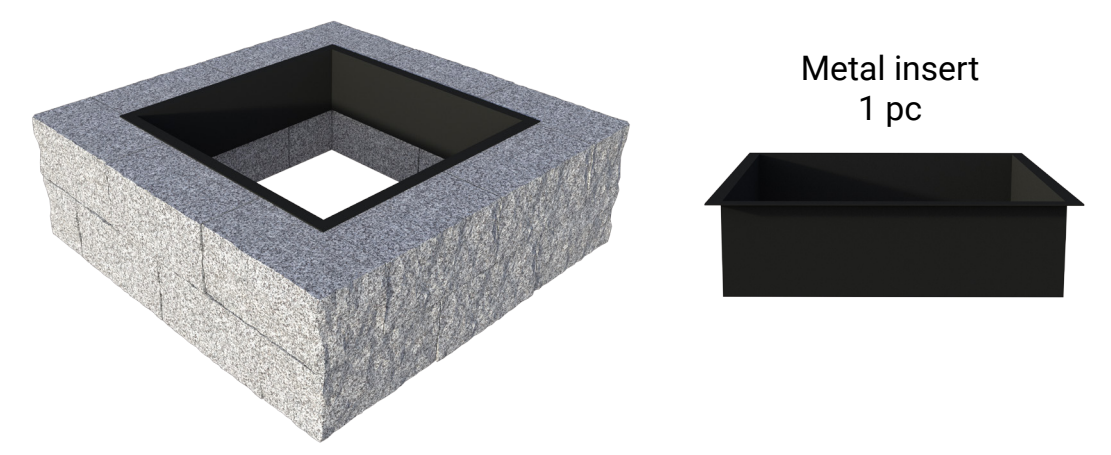
STEP 1: First Row



STEP 2: Second Row



STEP 3: Metal Insert



STEP 4: Gravel

